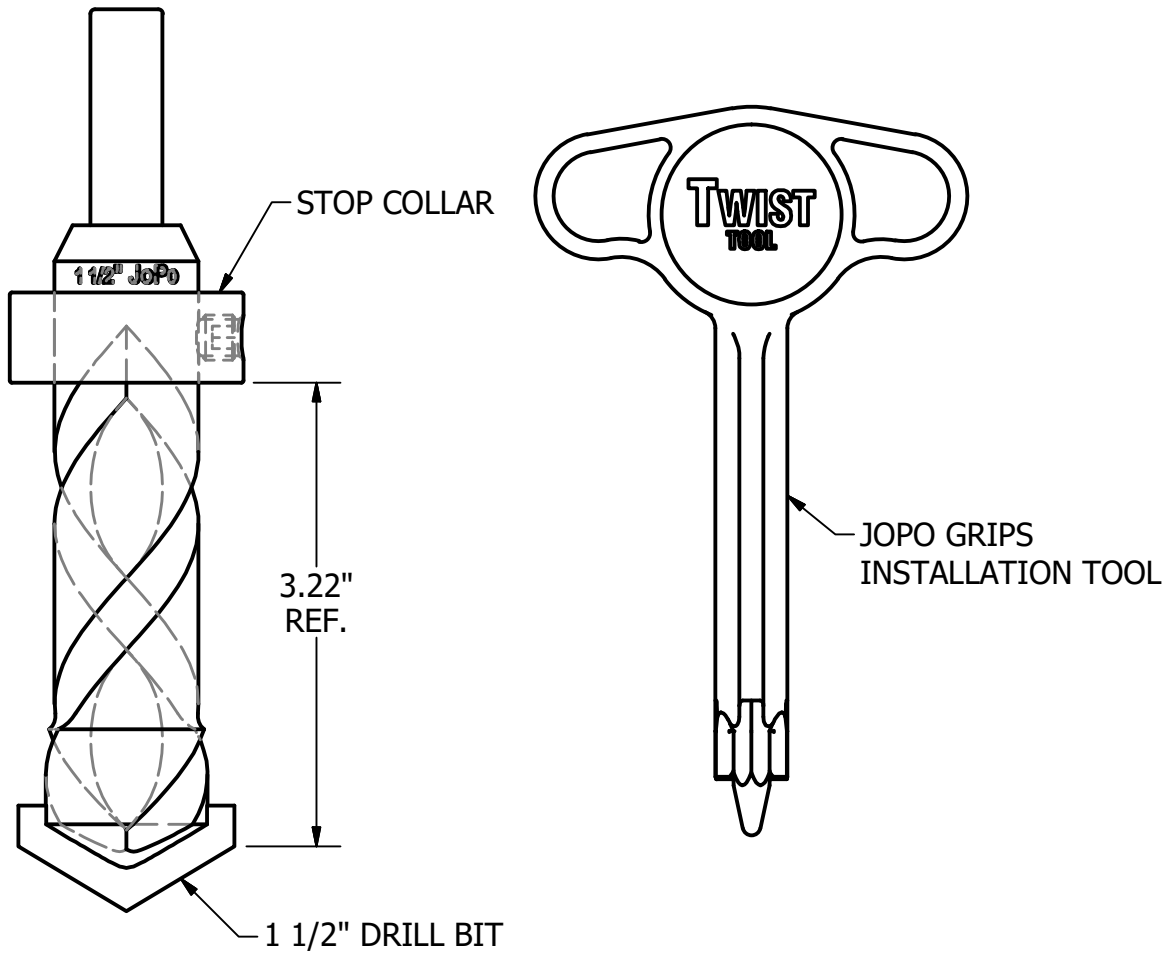


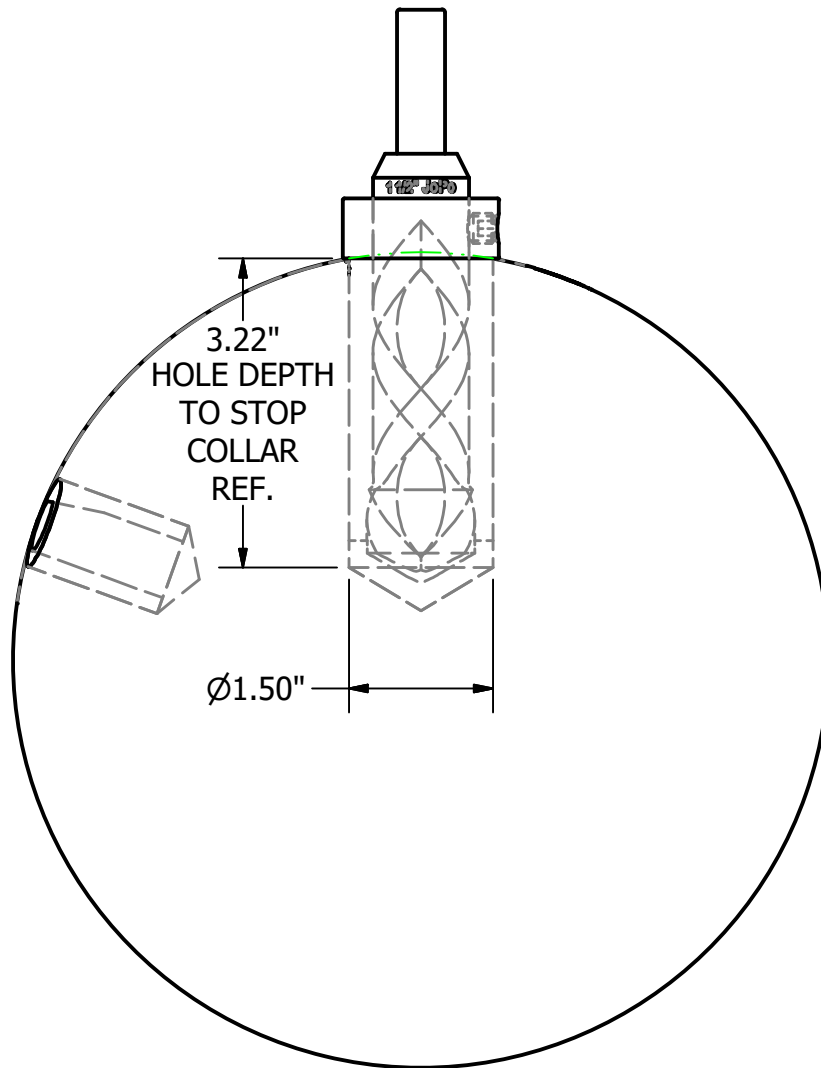
PROSHOP



THE JoPo "TWIST"

DRILL BIT WITH STOP COLLAR & INSTALLATION TOOL
(STOP COLLAR IS SET-UP & CALIBRATED FROM JoPo Grips)
(DIMENSIONS ARE FOR REFERENCE)

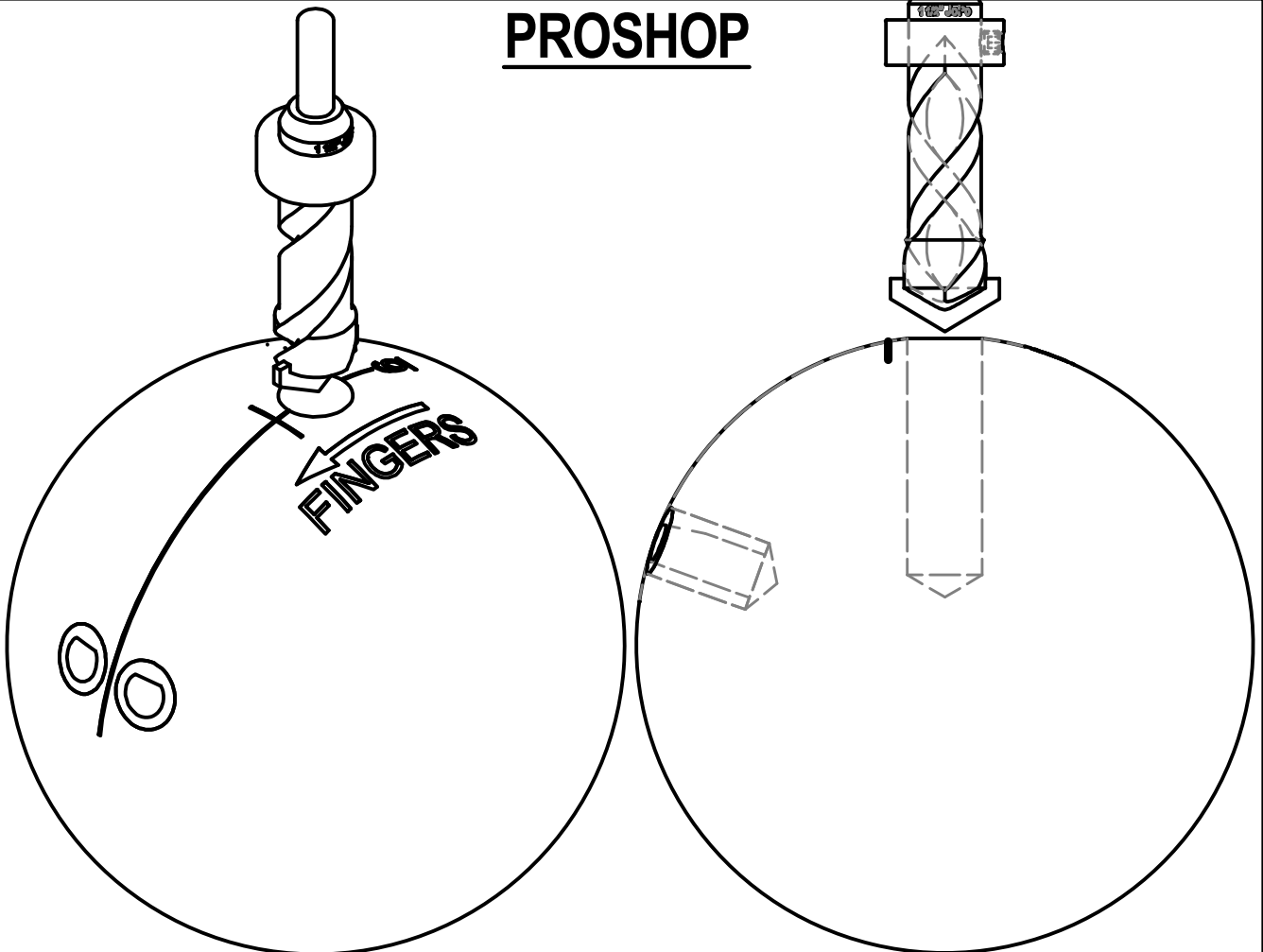
PROSHOP



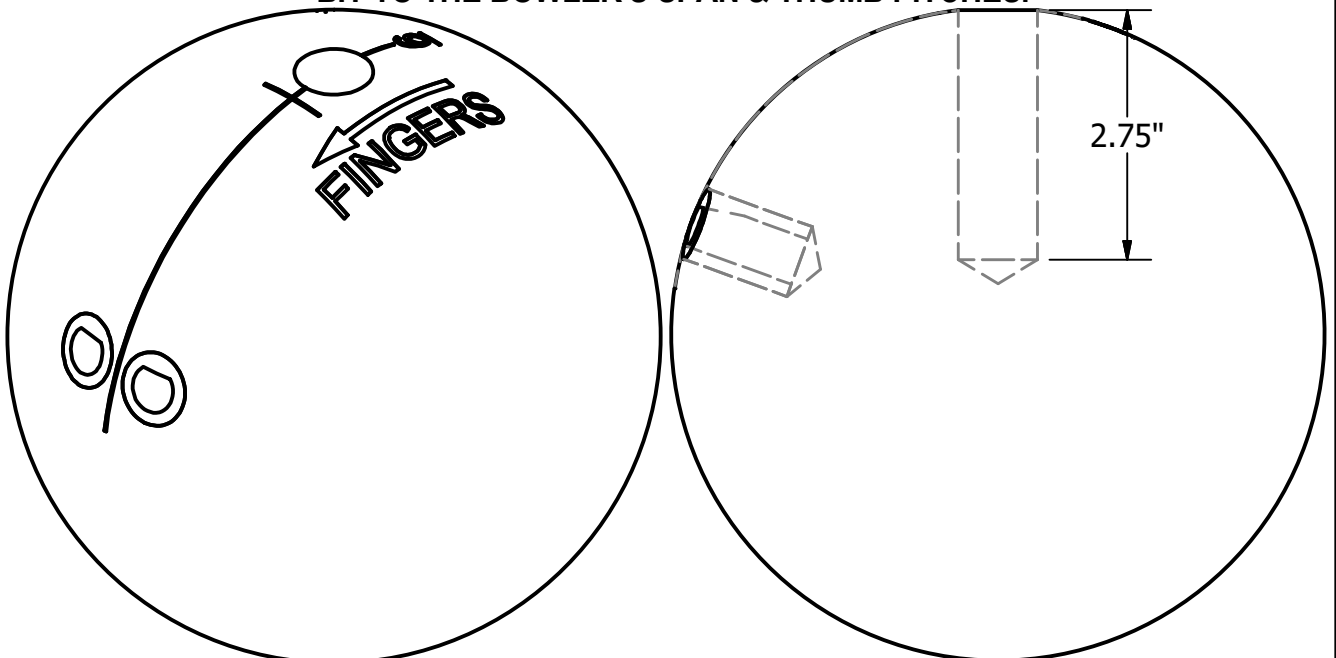
REFERENCE DIMENSIONS ONLY

JoPo "TWIST" GRIP ASSEMBLY
TO BE DRILLED TO THE
BOWLER'S THUMB SPAN & PITCHES

PROSHOP

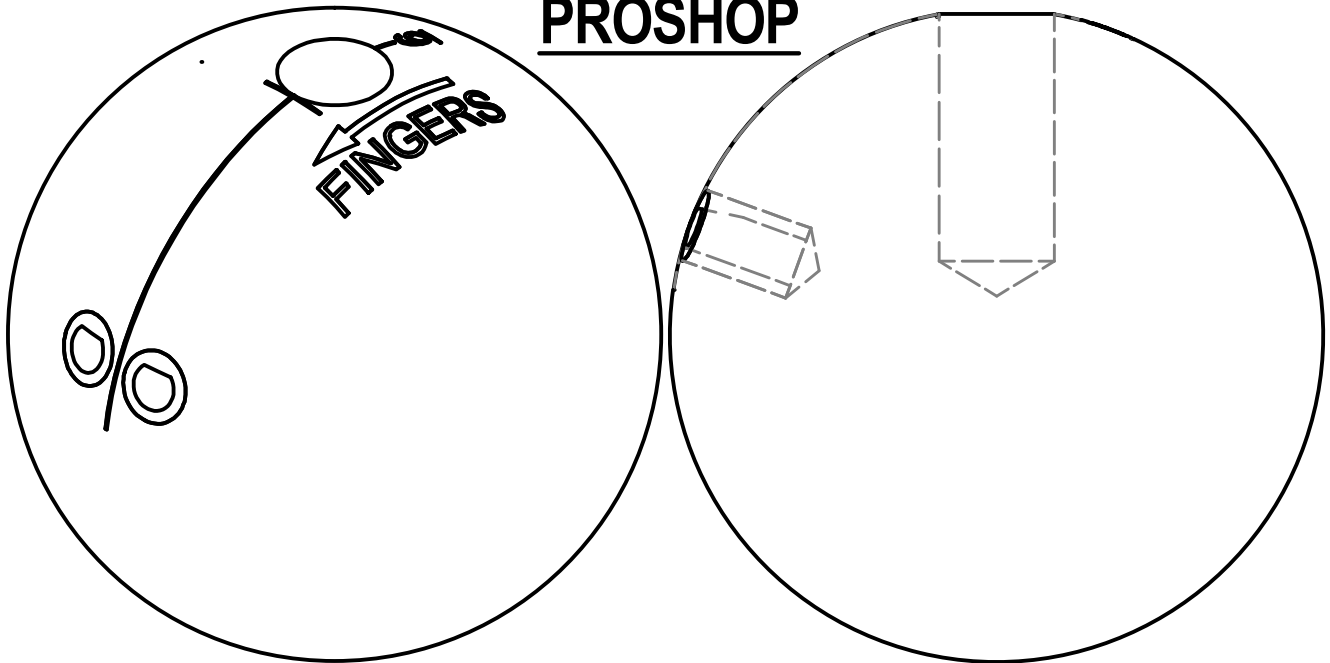


#1) LINE UP THE CERTIFIED JoPo "TWIST" DRILL BIT TO THE BOWLER'S SPAN & THUMB PITCHES.

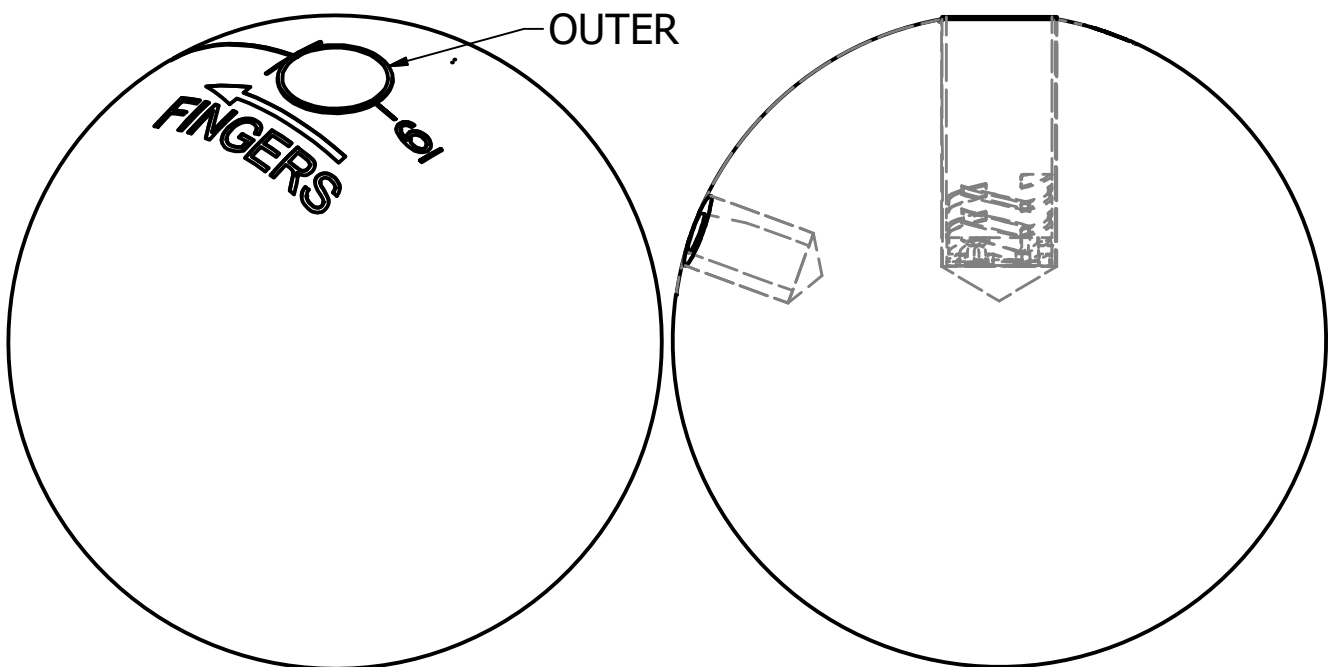


#2) REMOVE CERTIFIED JoPo "TWIST" DRILL BIT, USING A DRILL BIT SMALLER THAN THE JoPo "TWIST" 1 1/2" DRILL BIT, DRILL A PILOT HOLE TO THE BOWLER'S THUMB PITCHES TO A DEPTH OF APPROXIMATELY 2 3/4". YOU MAY DRILL A COUPLE PILOT HOLES USING DIFFERENT SIZES IF YOU CHOOSE TO.

PROSHOP



#3) USING THE CERTIFIED JoPo "TWIST" DRILL BIT, DRILL THE 1 1/2" DIAMETER HOLE TO THE BOWLER'S SPAN & THUMB PITCHES TO DEPTH OF THE STOP COLLAR.



#4) YOU MAY DO THESE NEXT STEPS ON THE DRILL PRESS IF YOU CHOOSE TO, THIS WILL KEEP THE BOWLING BALL IN THE SAME POSITION. MAKE SURE THUMB HOLE IS FREE FROM DEBRIS AND CLEAN THE THUMB HOLE WITH ACETONE OR RUBBING ALCOHOL TO ENSURE PROPER ADHESION. WE ALSO RECOMMEND ROUGHING UP THE OUTSIDE OF THE "TWIST" OUTER FOR BETTER ADHESION TO THE BOWLING BALL. PUT AN AMPLE AMOUNT OF SUPER GLUE INSIDE THE THUMB HOLE, ALIGN & INSERT THE "TWIST" OUTER TO BOTTOM OF THUMB HOLE WITH "TWIST" OUTER ALIGNMENT GROOVE AT 6 O'CLOCK.

PROSHOP

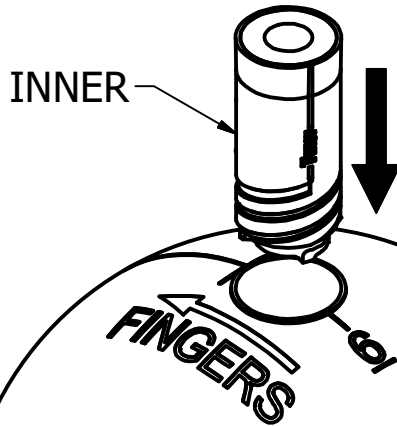


FIGURE 5a

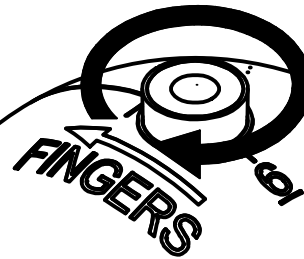


FIGURE 5b

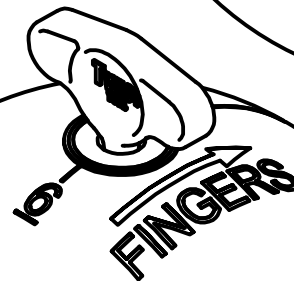
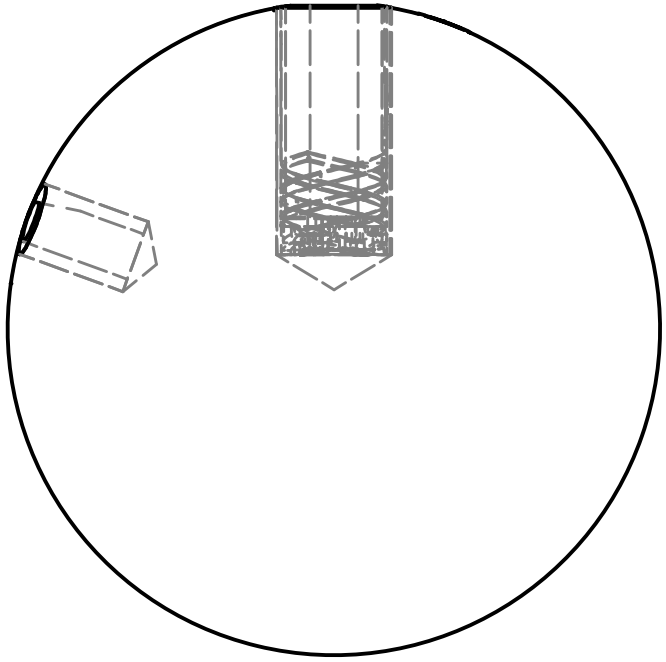
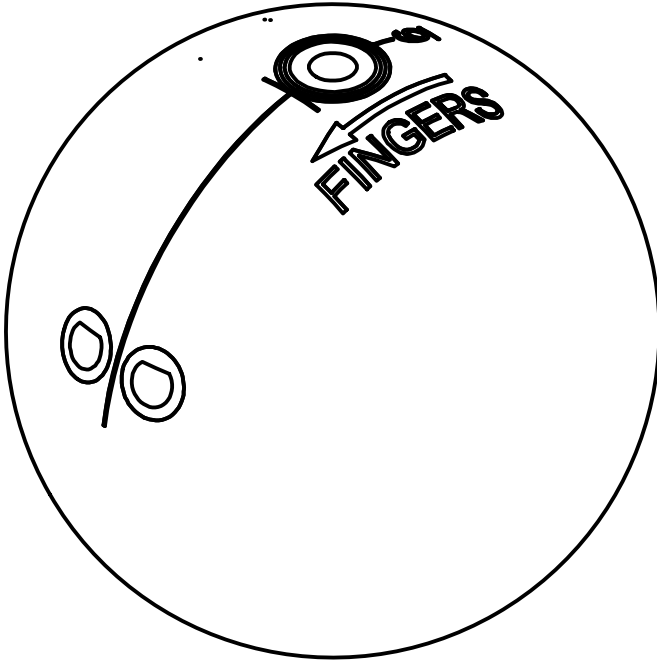


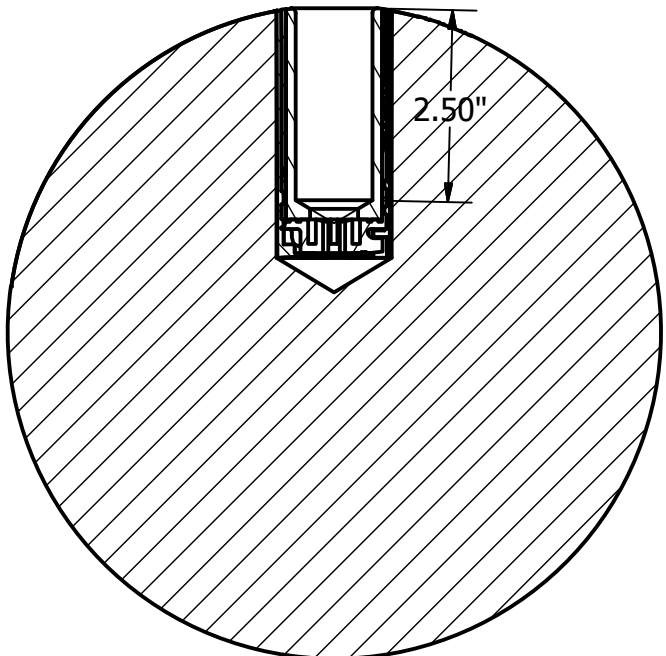
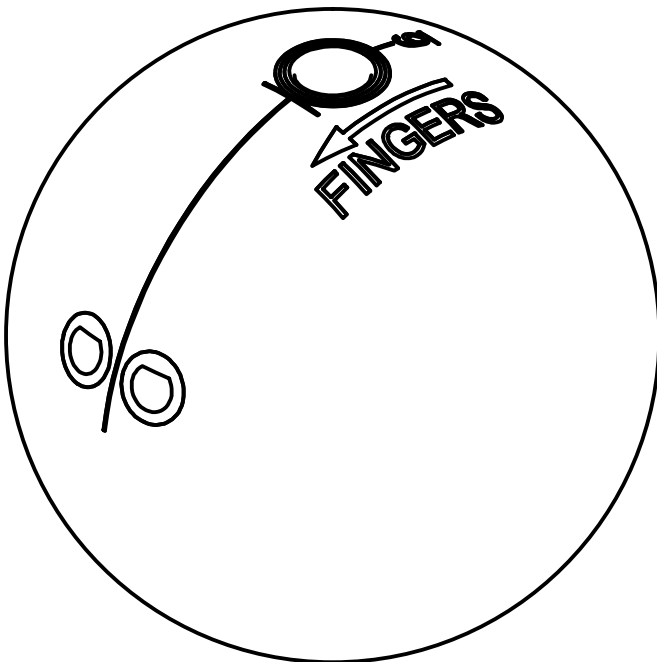
FIGURE 5c

#5) INSERT THE "TWIST" INNER WITH INNER ALIGNMENT GROOVE BETWEEN 6 & 7 O'CLOCK (FIGURE 5a), SLIDE DOWN UNTIL THREADS MEET & ROTATE CLOCKWISE BY HAND UNTIL THE "TWIST" INNER HITS THE BOTTOM (FIGURE 5b), INSERT THE "TWIST" INSTALLATION TOOL & ROTATE CLOCKWISE WITH MINIMUM FORCE UNTIL THE INNER LOCKS INTO PLACE. BOTH INNER & OUTER ALIGNMENT GROOVES SHOULD BE AT 6 O'CLOCK (FIGURE 5c).

PROSHOP



#6) USING A PLUG CUTTING TOOL & SETTING THE PITCHES AT ZERO-ZERO, CUT DOWN THE "TWIST" GRIP ASSEMBLY. THE INNER & OUTER CAN BE DONE AT THE SAME TIME FLUSH WITH BOWLING BALL .

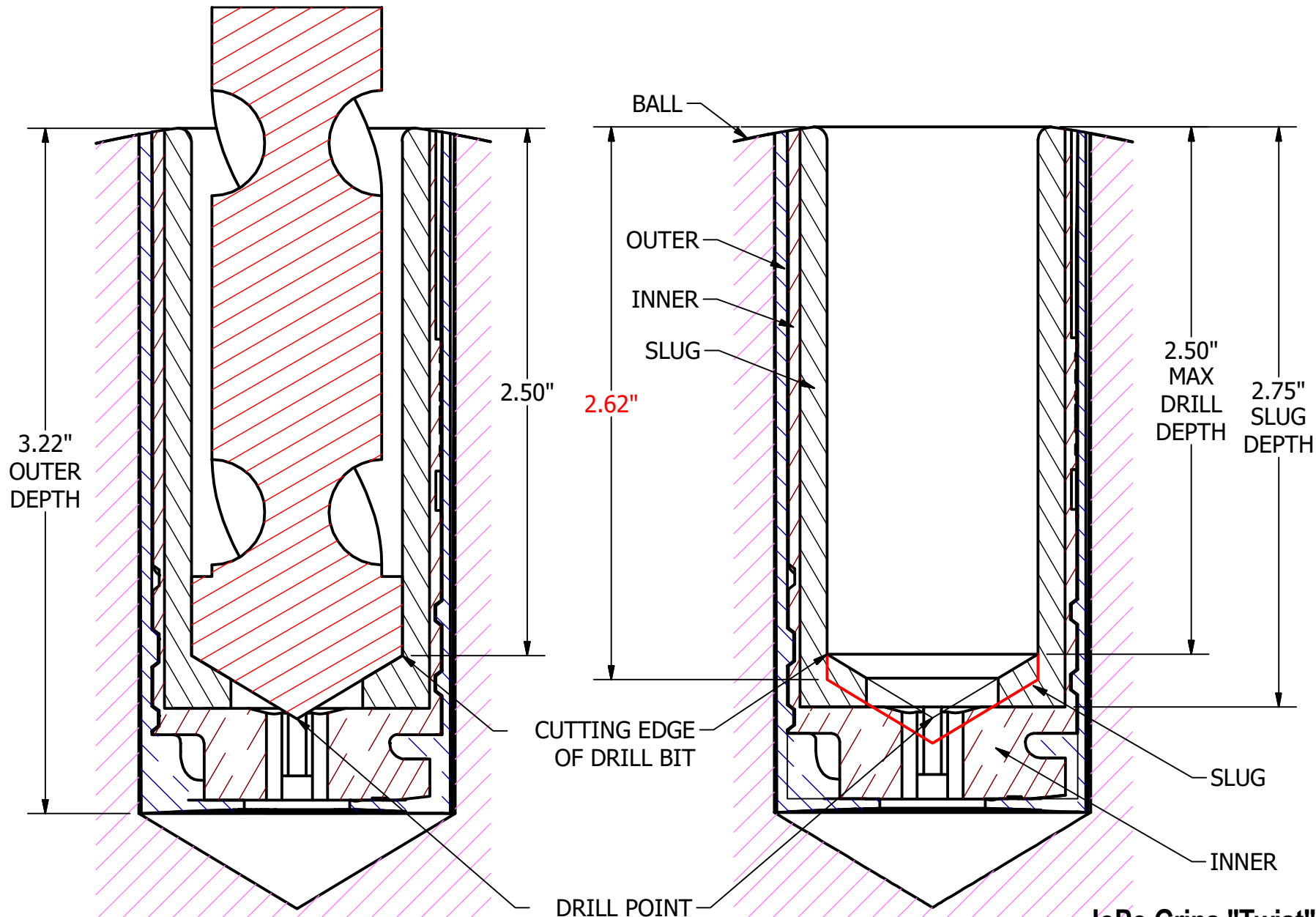


#7) DRILL THE BOWLER'S THUMB SIZE WITH THE BOWLER'S THUMB PITCHES IN THE CENTER OF THE "TWIST" THUMB GRIP ASSEMBLY TO A MAXIMUM DEPTH OF 2 1/2".

#8) YOUR BOWLER IS READY TO GO. GOOD LUCK, GOOD BOWLING & JUST TWIST IT!

JoPo Grips "Twist" DRILL DEPTH

WHEN CUTTING EDGE OF DRILL BIT STARTS CUTTING THE BALL



JoPo Grips "Twist"